

Data Sheet



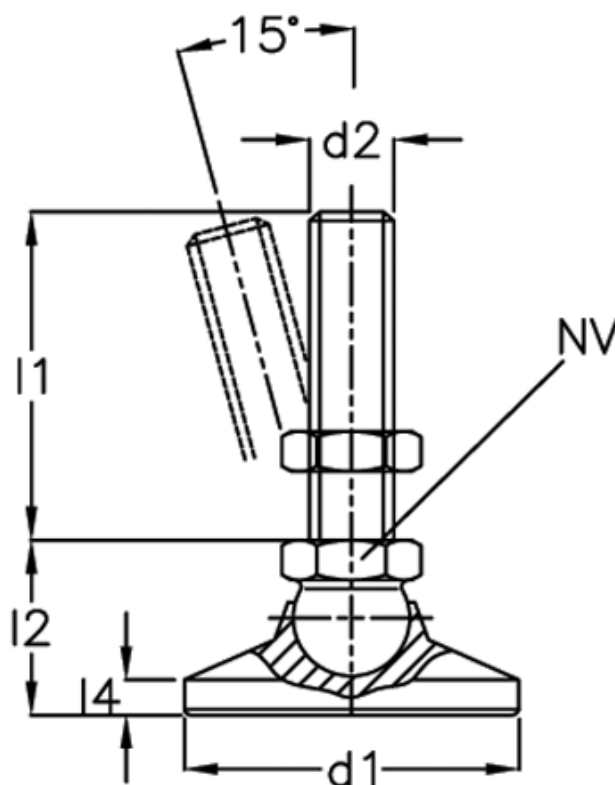
Article number: 20343225M840KR

Description: E+G Levelling foot

GN 343.2-25-M8-40-KR

Note: 0

Measures



$d1 = 25$

$d2 = M8$

$l1 = 40$

$l2 = -$

$l3 = 20.5$

$l4 = -$

$l5 = 5.5$

$NV = 12$

Static load = 10

Weight in (g) = 45